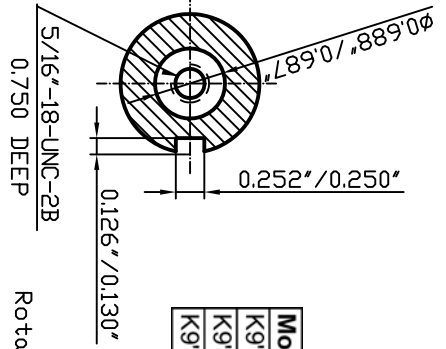


KOSTOV 9" 120V-SepEx
17R-32663

Motor	Duty cycle	Field Amps	Volts	Amps	RPM	Torque kW
K9" 120V SepEX	S2-60min	12	75	180	3400	11.5
K9" 120V SepEX	S2-60min	12	90	180	4300	13.5
K9" 120V SepEX	S2-60min	13	115	190	5500	18.3



5/16"-18-UNC-2B
0.750 DEEP

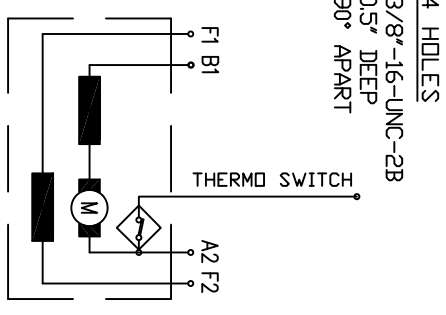
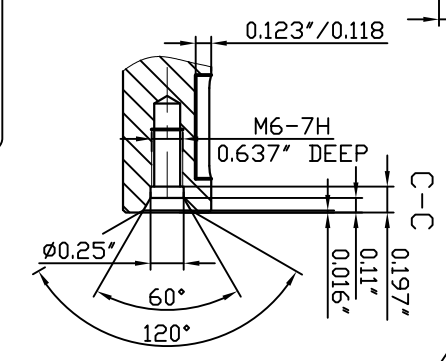
Rotation (viewed from drive end)
CCW: CW:



Coating: black

rated power 18.3 kW
rated voltage 120 V
rated current 190 A
rated speed 5500 min⁻¹
operation mode S2-60min
excitation indep
protection IP 21
insulation H
interpoles YES
length L
weight L
char. curve
rotation rev

KOSTOV 9" 120 V
excit. indep
IP 21 insulation H
duty S2-60min
kW 18.3 A 190 V 120
rpm 5500 kg S.N.
www.kostov-motors.com



KOSTOV 9" 120 V
Balkancar
"G. Kostov" JSC

25.06.2010
Rev.