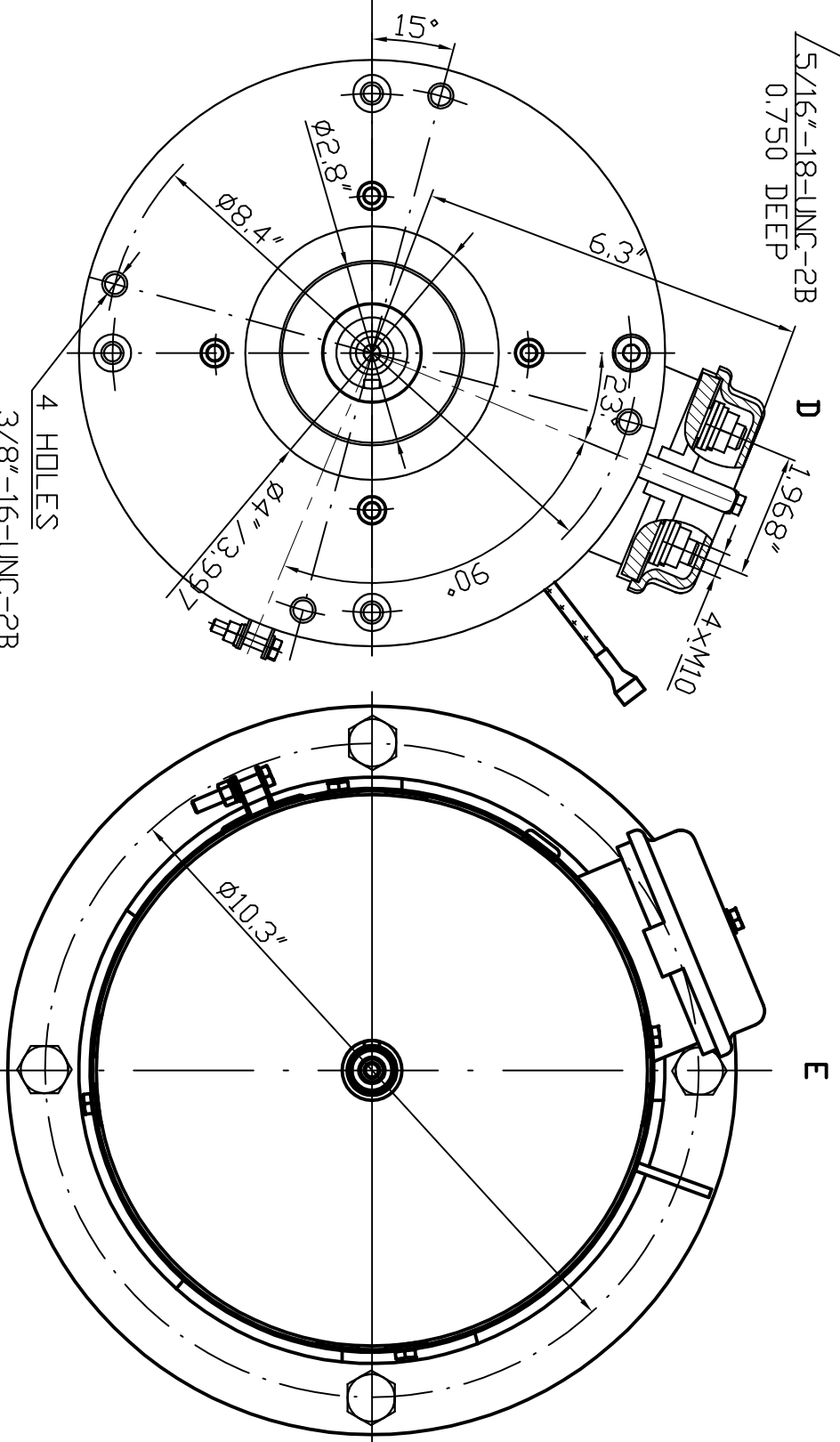


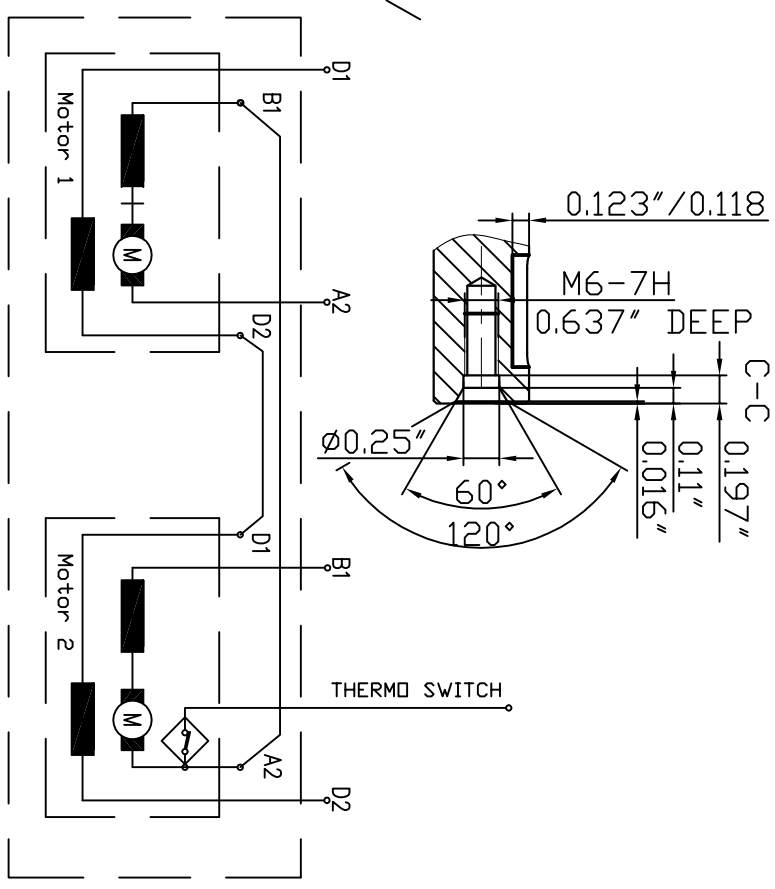
E 61



KOSTOV 9" 288V /dual/

- rated power 48 kW
- rated voltage 283 V
- rated current 205 A
- rated speed 5700 min<sup>-1</sup>
- operation mode S2-60min
- excitation series IP 21
- protection H
- insulation YES
- interpoles 86
- length L kg
- char. curve rev
- rotation

<b>KOSTOV</b>	excit. <b>series</b>	KOSTOV 9" 336 V
<b>MOTORS</b>	IP <b>21</b>	insulation <b>H</b>
kw <b>48</b>	A <b>205</b>	V <b>283</b>
rpm <b>5700</b>	kg <b>86</b>	mm <b>336</b>
www.kostov-motors.com		



Balkanacar  
"G. Kostov" JSC

08.02.2010  
Rev.

A B C D E F G H

1 2 3 4 5 6 7