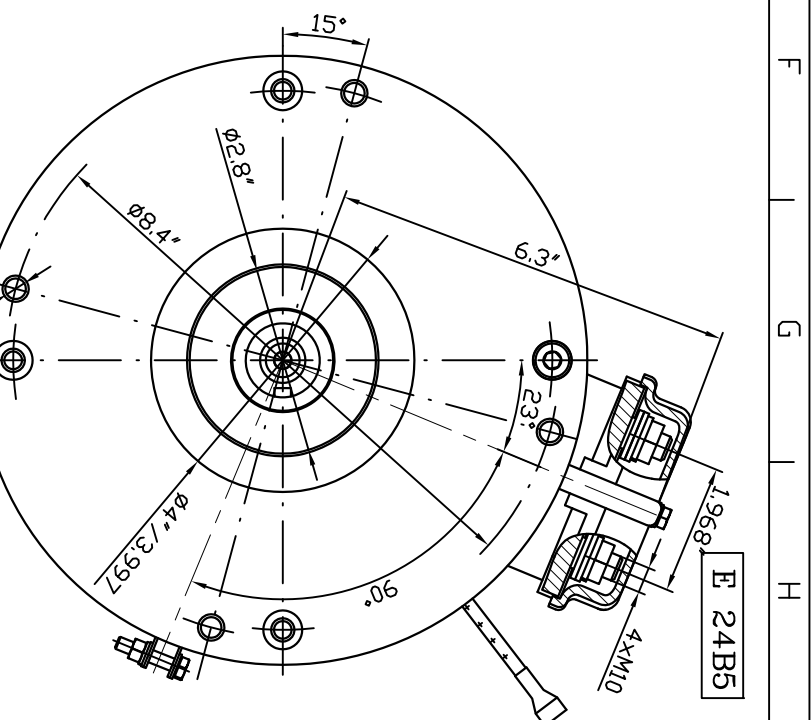
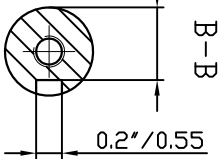
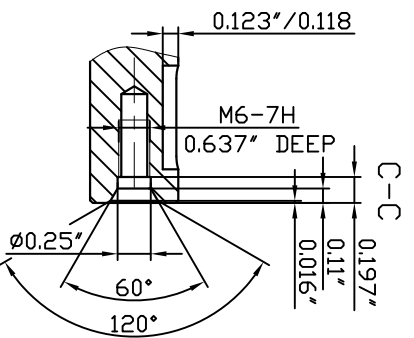
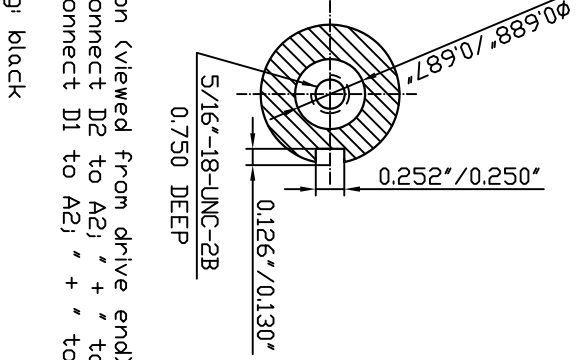
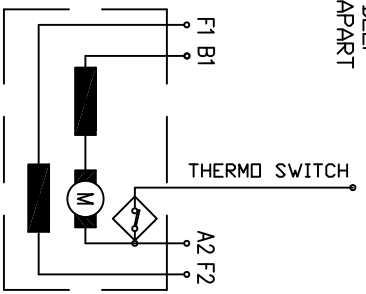


KOSTOV 9" 80V -SepEx
17R-

rated power	17 kW
rated voltage	80 V
rated current	280 A
rated speed	5300 min ⁻¹
operation mode	S2-60min
excitation	Indep
protection	IP 21
insulation	H
Interpoles:	YES
weight	45 kg
length L	
char. curve	REV
rotation	



KOSTOV 9" 80V-SepEx
excit: **Indep**
IP **21** Insulation **H**
rpm **5300** kg **45** S.N. **90** duty **S2-60 min**
www.kostov-motors.com



KOSTOV MOTORS Balkancar "G. Kostov" JSC
14.07.2009
Rev.

Rotation (viewed from drive end) D1 and " - " to B1
CCW: Connect D2 to A2j " + " to D2 and " - " to B1
CW: Connect D1 to A2j " + " to D2 and " - " to B1
Coating: black